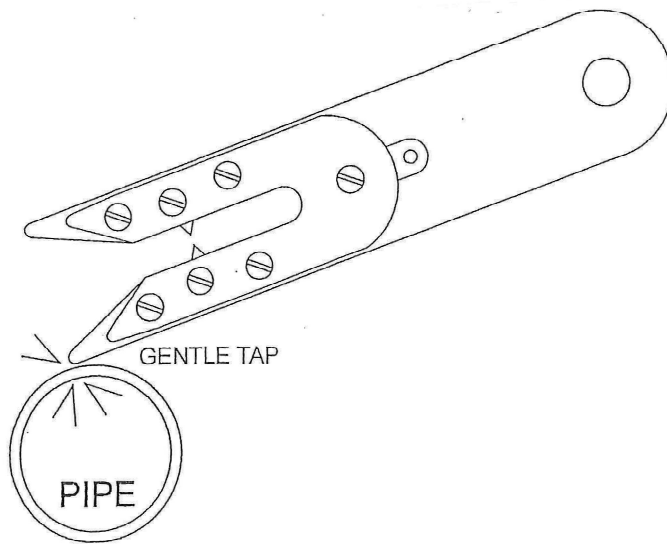


How to reset Slides and Dogs if the slides are stuck or not free.

When the tool is locked, it is caused by the dogs pushing outwards on the body and the body needs to be realigned with the slides. To reset the dogs, remove the 2 lower sex bolts to see if the holes on the body align with the holes on the slides. Tap both sides until the holes line back up. **DO NOT HIT HARD.** You only need to reset about 1/32 of an inch in most cases. Reinstall the lower sex bolts, and the slides should move freely. If it goes too far, wedge the legs on a pipe to open wider.



If all attempts fail to reset TheFetch fail, you can send it back.

If it needs dogs, we will replace them.

Send a check for 300.00

and we will recondition and send it back.

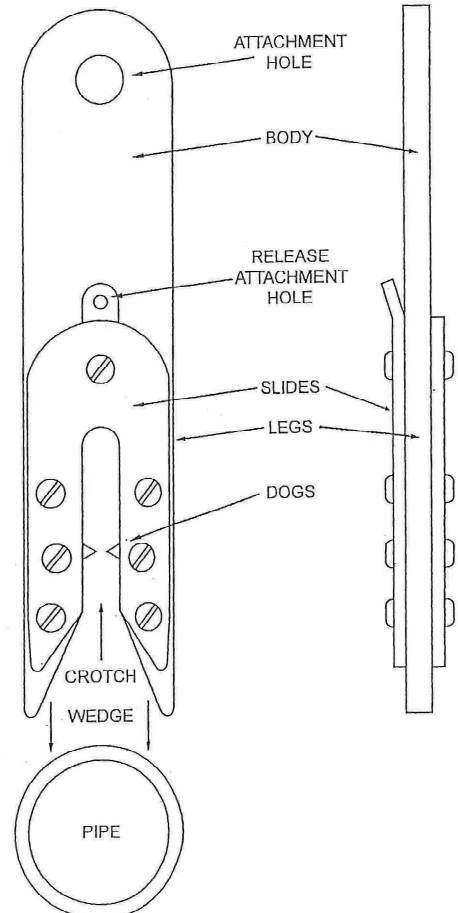
If you want it returned overnight,

send 360.00 for overnight shipping.

Any questions please call or email Paul at
620.488.1119 or dapalco.fetch@gmail.com.

**Front
View**

**Side
View**



Please read the instruction sheet and the Don'ts and Do's page
for ways to have a successful retrieval with TheFetch



1208 N. Jerrick Rd • Belle Plaine, KS 67013 • 620-488-1119
dapalco.fetch@gmail.com

PLEASE READ ALL INFORMATION THEFETCH DON'TS AND DO'S FOR SUCCESSFUL RETRIEVAL

Don'ts

- Do not** disassemble or loosen the bolts if the tool is in a bind or if the slides are not free. They need to be tight to prevent them from backing out during use. Call for further instruction if the tool is not operating properly.
 - Do not** attach the tool to a fixed rig or a spear. It needs to be able to align itself with the pipe when it is dropped into the casing.
 - Do not** "fish" for the pipe. Let the tool drop naturally so the momentum and weight can seat properly onto the pipe.
 - Do not** bounce or jerk the tool during retrieval. A come-along is strongly recommended for initial pulling and control. A hydraulic or electric winch creates a bouncing effect which amplifies the load on the tool and can cause damage to the dogs, or cause the tool to slip off the pipe.
 - Do not** hit the slides to remove the tool from the pipe after a retrieval if it is locked. The dogs are locked onto the pipe and hitting the slides will only damage the tool. Simply strike the main body at the top to release the dogs from the pipe.
- The tool will need to be reset to operate again. Refer to the reset procedure.

Do's

Check the function of the slides to make sure all components move freely. Use a scrap section of pipe comparable to the pipe being retrieved to test the tool. The dogs should move freely as the tool engages the pipe. Pull up on the body to seat the dogs onto the side of the pipe. Letting go of the body and pulling up on the slides will release the dogs and disengage the tool from the pipe. If the tool is in a bind, refer to the reset procedures or contact us for help!

Set up the tool properly. TheFetch needs to be able to rotate freely. For the retrieval line, use a heavy duty rope or steel cable rated greater than the combined weight of the pump, pipe, and potential loaded water that will be retrieved. Attach to the tool with a wire rope thimble, or a shackle. A light duty rope can be used for the retrieval line. The release line is designed to reset the tool if it grabs an unintended object like a stray wire or to get a better angle on the pipe. The dogs will invert and lock onto the pipe after enough force is applied (approximately 200-300 lbs.), making the release system inoperable.

If the tool is locked onto the pipe and you can't retrieve the pipe or pump (wires could be wedged, or an obstruction in casing) contact us for further instructions.

Gather as much information about your well as possible. If the casing is angled or damaged from natural events like a cave-in or an earthquake, it may not be possible to get the correct angle to retrieve the pipe. Make sure the casing goes all the way to the bottom of the well to the pump.

Make sure the wires are clear. If the wires to the pump are dropped in the casing, they will need to be cleared before retrieving the pump. They can bind up between the pump and casing making it irretrievable. The tool may be able to grab the wires to bring them to the surface.

Break the vacuum (suction) at the bottom of the well. The pump will be settled in mud, sand, or silt. Pulling up the pump creates a vacuum that will amplify the load. When retrieving the pipe, use a come-along attached to the retrieval line to apply around 200 pounds of pressure to the pipe. If the pipe does not immediately start to come up, mark the line with a piece of tape level with the top of the casing for a reference point and wait for the line to move up. Patience is required at this point, if the line hasn't moved after a few hours, apply a little more pressure and repeat the process. Compressed air or a water hose lowered down to the pump can help this process. After the pump breaks free from the vacuum, then you can switch from the come-along to whatever method (like a hydraulic or electric winch) you prefer to finish the pulling process.

Use the side walls of the casing to find the pipe. Drop the tool at different points along the side walls of the casing. Go down 2 or 3 feet below where you think the pipe is located, then back up 2 or 3 feet higher than the top of the pipe. Let the tool drop so it can seat onto the pipe.

Release the tool from the pipe after retrieval. Simply hit the main body at the top with a hammer to release the tool from the pipe. This will drive the tool down and allow the dogs to retract.